

# TT-1000

## Ultra Terrain Tug

Click here to see the video



ZERO EMISSIONS



### Ultra Terrain Off-Road Use

The TT-1000 is a three wheeled ZERO emission electric drive pedestrian Tug ergonomically designed to easily move trailerstrailers, caravans, wagons on all surfaces.

The Tug Trak reduces the manual effort required to perform repetitive tasks thereby improving productivity and reducing the chance of work related injuries.

The TT-1000 has a pulling and pushing capacity of up to 19,000kgs and a loading capacity of 1,000kgs.

With 4 x 114 AH AGM batteries, it has an autonomy of up to 8 hours of continuous operation.

**The Large 460mm diameter driving wheels ensure maximum traction even on rough surfaces**

For slippery surfaces, ballast can be added easily.

## Made in Europe

- Adjustable height handle to suit all operators
- Folding handle to reduce transport size and costs.
- The TT-1000 is easily manoeuvred and can be used on uneven terrain
- Other options are solid, non-marking tires and Flashing Safety Lights.

24/7 Sales & Service Agent



1300 763 444

[www.spacepac.com.au](http://www.spacepac.com.au)

### PERFORMANCE

Counterweight	Drawbar Pull	Pulling Capacity
0 Kg	138.6 Kg	6,930 Kg
230 Kg	261.8 Kg	13,090 Kg
330 Kg	385 Kg	19,250 Kg
Loading Capacity	1000 Kg	
Motor Power	24V 3000W	
Pulling speed	max 3 km/h	
Pushing speed	max 1.5 km/h	
Battery Autonomy	approx 5 hrs	
Battery charger	On board	

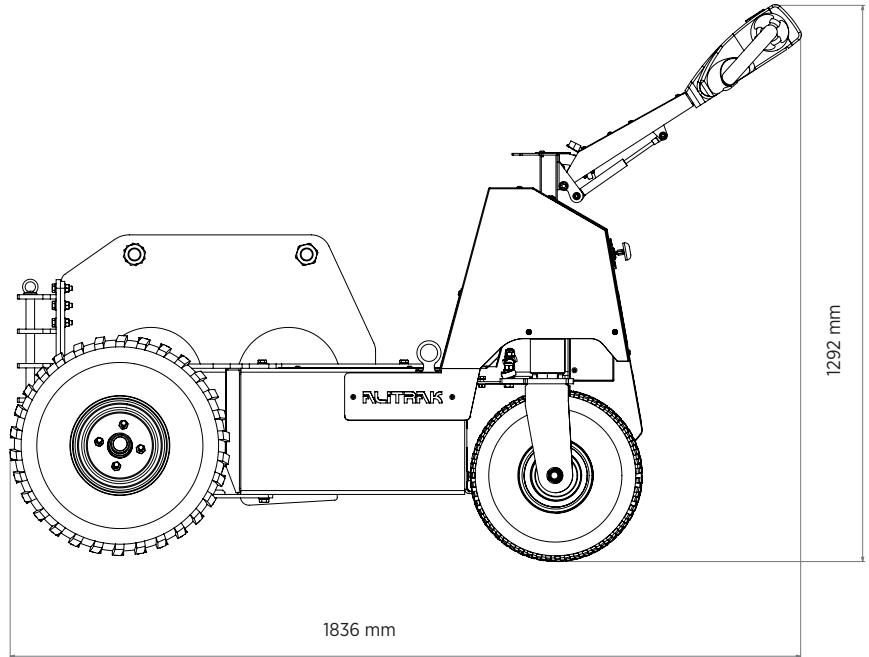
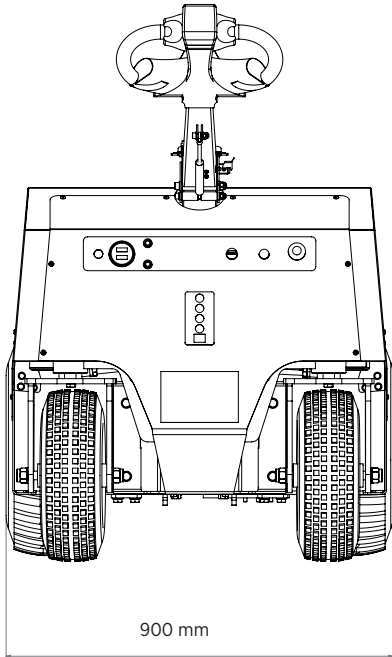
### DIMENSIONS

AGM GEL Batteries	4 x 114 AH
Battery recharging time	5 to 8 hours
Parking brake	Electromagnetic with the possibility of release
Machine Weight	366 kg
Distance between Wheels	540 mm
Driving Wheels Size	460 x 235 mm
Part Number	# TT1000 (see page 2)

Replaces All Previous Versions

[sales@alitrak.com.au](mailto:sales@alitrak.com.au)

Effective Sept 2014



## Alitrak TT1000 Standard Features



4 Hooks to pull at different heights



TT1000 dashboard

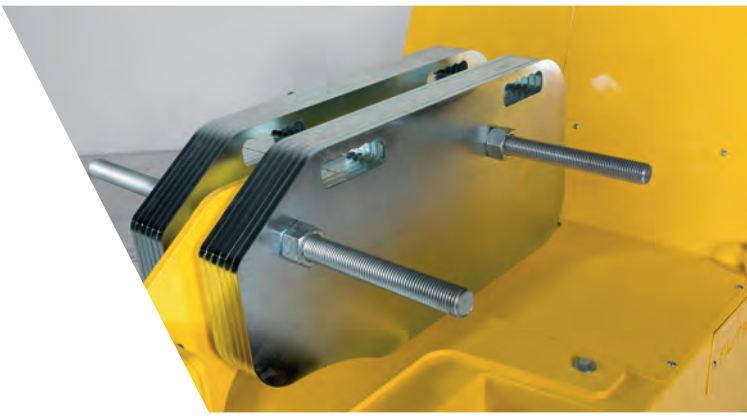


Tilting tiller with micro safety switch and automatic return to rest position



The handle directs two steering wheels and the drive controller operates from the drivers thumb.

## Alitrak TT1000 - Options



Optional Ballast (38kg /pair), max ballast 9 Pair (342kg)



Pictures	Part Number	Descriptions
	# TT1000	Tug Trak 1000
	# TT1000BAL	Options ... Ballast (38kg /pair), max ballast 9 Pair (342kg)